



# VOLTRO

## PT-8MSLWDR-Z40

5MP 40x Starlight IR Network PTZ Camera



### Key Features

- 1/1.8" STARVIS™ CMOS
- Max. 25/30 fps@3840 × 2160
- 40x optical zoom and 16x digital zoom
- Support face, human and vehicle detection and capture
- Support smoke and fire detection as well as smart motion detection
- Auto tracking and perimeter protection based on deep learning
- Intelligent analysis: intrusion, single line crossing, double line crossing, loitering, wrong-way, illegal parking and people counting
- True WDR, 3D DNR, ICR, Defog and EIS
- Smart IR distance up to 500 m
- IP66

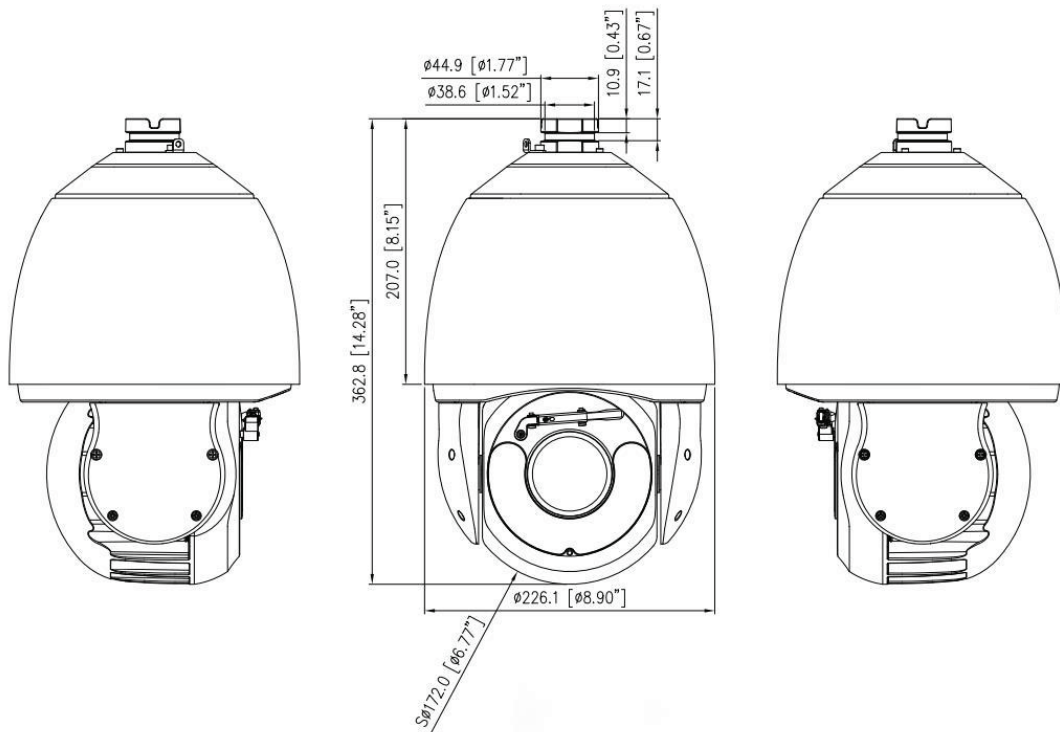
# Specification

Camera	
Image Sensor	1/1.8" Progressive Scan CMOS
Max. Resolution	3840(H) × 2160 (V)
Electronic Shutter	Auto/Manual, 1/5 to 1/20,000s
Min. illumination	Color: 0.005 Lux @ (F1.6, AGC ON), B/W: 0.001 Lux @ (F1.6, AGC ON), 0 Lux with IR on
Day & Night	Auto (ICR)
Wiper	Support
Lens	
Focal Length	6.8 to 272 mm
Max. Aperture	F1.63 to F4.94
Angle of View	H: 58.2° to 2.2°, V: 34.3° to 1.3°
Optical Zoom	40x
Digital Zoom	16x
Iris Control	Auto/Manual
Focus Control	Auto/Manual/Semi-automatic
DORI	
DORI Distance (Lens)	6.8 to 272 mm
DORI Distance (Detection)	136 to 5,000 m (446.2 to 16,404.2 ft)
DORI Distance (Observe)	54.4 to 2,000 m (178.5 to 6,561.7 ft)
DORI Distance (Recognize)	27.2 to 1,000 m (89.2 to 3,280.8 ft)
DORI Distance (Identify)	13.6 to 500 m (44.6 to 1,640.4 ft)
Illuminator	
Illuminator Type	IR
Illumination Distance	IR distance up to 500 m (1640.4 ft)
Illuminator On/Off Control	Auto/Manual
PTZ	
Pan/Tilt Range	Pan: 0° to 360° endless, Tilt: -10° to +90° (auto-flip)
Pan Speed	Pan speed: 0.1° to 300°/s, preset speed: 300°/s
Tilt Speed	Tilt speed: 0.1° to 300°/s, preset speed: 300°/s

Presets	400
Patrol Scan	6 Track, 12 Scan, 12 Patrol (up to 32 presets each patrol)
Power-Off Memory	Support
3D Positioning	Support
PTZ Status Display	Support
Idle Motion	The time can be set (1-240 minutes), and functions such as preset positions, patrols, scans, and tracks can be run.
<b>Video</b>	
Streaming Capability	3 Streams
Stream/Frame Rate	Stream1: 3840×2160, 2592×1520, 2304×1296, 1920×1080, 1280×720 @25/30fps Stream2: D1, VGA, CIF @25/30fps Stream3: VGA, CIF, QVGA @25/30fps
Bit Rate Control	CBR/VBR
Bit Rate	Stream1: 200 kbps to 16 Mbps Stream2: 100 kbps to 6 Mbps Stream3: 100 kbps to 3 Mbps
Smart Encoder	Support
Region of Interest (ROI)	Support
<b>Audio</b>	
Audio Compression	G.711, RAW_PCM
Audio Bit Rate	64 kbps (G.711), 128 kbps (RAW_PCM)
<b>Image</b>	
Image Adjustment	Brightness, Sharpness, Contrast, Saturation
Mirror	Support
Exposure Mode	Auto/Manual
White Balance	Auto/Manual
Day/Night Setting	Auto, Day, Night, Time
Noise Reduction	2D/3D DNR
Image Enhancement	HLC, BLC, Defog, Anti-shake
Wide Dynamic Range	True WDR
S/N Ratio	50dB
Privacy Masking	Support 40 zones, mask color configurable
<b>Smart Function</b>	
Basic Event	Motion detection alarm, I/O alarm, Disk alarm, Network alarm
Multi-Object Detection	Support face, human, vehicle detection and capture

Intelligent Analysis	Intrusion, Single line crossing, Double line crossing, Loitering, Wrong-way, Illegal parking, Smart motion detection (support the accurate detection of vehicle and human)
Smoke and Fire Detection	Support
People Counting	Support
Smart Tracking	Support
<b>Network</b>	
Protocols	IPv4, IPv6, TCP/IP, HTTP, HTTPS, RTSP/RTP/RTCP, IGMP/Multicast, SMTP, DHCP, NTP, DNS, DDNS, QoS, SNMP, 802.1X, UDP, ICMP, ARP, TLS
Interoperability	ONVIF (profile S/T/G/M), SDK, CGI
Streaming Method	Multicast
Max. User Access	10 Users
Web Viewer	<IE11, Chrome, Firefox, Microsoft Edge
Language	English, Chinese, Polish, Italian, Portuguese, Spanish, Russian, French, Czech, Hungarian. Default: English
<b>Interface</b>	
Network Interface	1 Ethernet (10/100 Base-T) RJ-45 Connector
Audio Interface	1ch Input, 1ch Output
Alarm Interface	7ch Input, 2ch Output
RS-485	Support
CVBS Interface	Support
SD Card Slot	Built-in, up to 1 TB
<b>Electrical</b>	
Power Supply	24VAC/36VDC/PoE++ (802.3bt), Standard Equipped: 36VDC
Power Consumption	Less than 48 W
Operating Temperature	-40°C to 60°C (-40°F to 140 °F)
Operating Humidity	Less than 90% RH
Ingress Protection	IP66, TVS4000V
Certifications	CE/FCC
Casing	Metal
Dimensions	φ 226× 362.8 mm (φ 8.9× 14.28 inch)
Net Weight	5.5 kg (12.13 lb)

## Dimensions (mm)



## Accessories

Optional :



Wall Bracket



Corner Mount



Pole Mount



Junction Box



Pole Mount